



## 600881 (E1HCEEOMCS) Plug-in Induction Wok

### Main Features

- Automatic pan detection to transfer power only when pan is present
- High impact, heavy duty glass-ceramic wok bowl for durability and easy cleaning.
- 2-color user interface (white and red) for better readability.
- Plug in unit designed for table top installations.
- Glass touch display on top for maximum visibility.
- Power level settings from 1 to 10.
- Timer function can be used to set the cooking time, switching off the zone automatically at the end of the time set
- Self-diagnostics: an error code is displayed (Exxx) in case of dysfunction.
- Designed for LiberoPro Duo function for automatic regulation of the LiberoPro Point fan speed according to cooking intensity.

### Construction

- IPx4 water protection.
- One induction wok shaped bowl 6mm thick.
- 4 sides unique frame in AISI 304 2 mm thick.
- Induction air filters easy to clean and remove for monthly cleaning.
- 4 feet, cord and plug included.

### Sustainability

- Rapid heat transfer directly to the pan, no heat is dispersed into the environment
- This model is compliant with Swiss Energy Efficiency Ordinance (730.02).

### Optional Accessories

PNC Code	Description
<b>Pots and pans</b>	
910613	Induction Wok pan with wooden handle (diam. 360mm)
911000	Stainless steel wok pan, design in line with wok cuvette
911003	Non-stick wok pan, design in line with wok cuvette



## Recommended Detergents

PNC Code	Description
OS2881	S01 STAINLESS STEEL SURFACE POLISHER; 6 BOTTLES X 750ML C/T
OS2882	S02 Degreaser for ovens and SpeedDelight. Specific for cleaning the cooking chambers of GourmeXpress and SpeeDelight. Active up to a maximum of 50°C Complete with spray bottle Pack of 6 750ml bottles
OS2883	S03 ALCOHOL BASE DETERGENT; 6 BOTTLES X 750ML; ADR&IMDG&IATA Limited Quantity
OS2884	S04 GLASSES & HARD SURFACES CLEANERS; 6 BOTTLES X 750ML



# Technical specifications

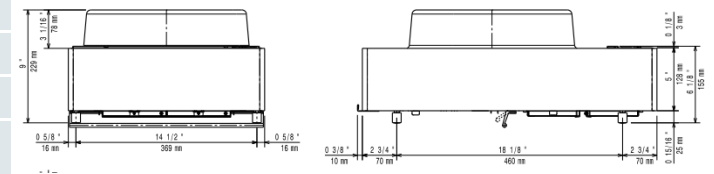
## Electric

Supply voltage:	220-240 V/1N ph/50-60 Hz
Total Watts:	3.5 kW
Plug type:	CE-SCHUKO
Minimum Circuit Ampacity (MCA):	16A

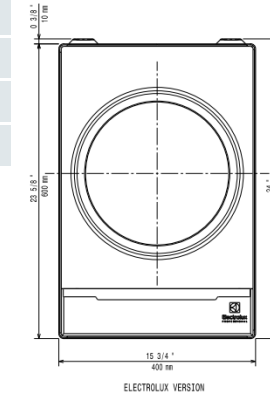
## Key Information:

External dimensions, Width:	400 mm
External dimensions, Depth:	600 mm
External dimensions, Height:	229 mm
Net weight:	21 kg

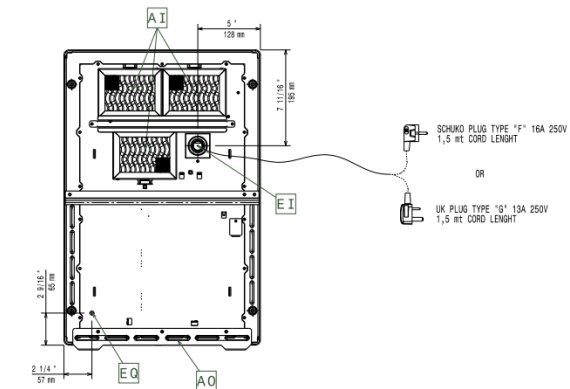
## Side



## Top



## Other



EI = Electrical inlet (power)  
EO = Electrical Outlet



Find out more:  
ISO Certificates  
Electrolux Professional Recognitions

The company reserves the right to make modifications to the products without prior notice. All information correct at time of printing.

2026/05/30